

SINGLE LINE DIAGRAM

NOTE: ALL EQUIPMENT IS EXISTING UNLESS OTHERWISE NOTED.

Table with columns: NO., DESCRIPTION, QUANTITY, UNIT, PRICE, TOTAL.

Table with columns: NO., DESCRIPTION, QUANTITY, UNIT, PRICE, TOTAL.

Table with columns: NO., DESCRIPTION, QUANTITY, UNIT, PRICE, TOTAL.

Table with columns: NO., DESCRIPTION, QUANTITY, UNIT, PRICE, TOTAL.

Table with columns: NO., DESCRIPTION, QUANTITY, UNIT, PRICE, TOTAL.

Table with columns: NO., DESCRIPTION, QUANTITY, UNIT, PRICE, TOTAL.

Table with columns: NO., DESCRIPTION, QUANTITY, UNIT, PRICE, TOTAL.

Table with columns: NO., DESCRIPTION, QUANTITY, UNIT, PRICE, TOTAL.

Table with columns: NO., DESCRIPTION, QUANTITY, UNIT, PRICE, TOTAL. Includes a 'FIXTURE SCHEDULE' section.

Table with columns: NO., DESCRIPTION, QUANTITY, UNIT, PRICE, TOTAL.

Table with columns: NO., DESCRIPTION, QUANTITY, UNIT, PRICE, TOTAL.

Table with columns: NO., DESCRIPTION, QUANTITY, UNIT, PRICE, TOTAL.

Table with columns: NO., DESCRIPTION, QUANTITY, UNIT, PRICE, TOTAL.

Table with columns: NO., DESCRIPTION, QUANTITY, UNIT, PRICE, TOTAL.

Table with columns: NO., DESCRIPTION, QUANTITY, UNIT, PRICE, TOTAL.

Table with columns: NO., DESCRIPTION, QUANTITY, UNIT, PRICE, TOTAL.

Table with columns: NO., DESCRIPTION, QUANTITY, UNIT, PRICE, TOTAL.

Table with columns: NO., DESCRIPTION, QUANTITY, UNIT, PRICE, TOTAL.

Table with columns: NO., DESCRIPTION, QUANTITY, UNIT, PRICE, TOTAL.

Table with columns: NO., DESCRIPTION, QUANTITY, UNIT, PRICE, TOTAL.

Table with columns: NO., DESCRIPTION, QUANTITY, UNIT, PRICE, TOTAL.

Table with columns: NO., DESCRIPTION, QUANTITY, UNIT, PRICE, TOTAL.

Table with columns: NO., DESCRIPTION, QUANTITY, UNIT, PRICE, TOTAL.

Table with columns: NO., DESCRIPTION, QUANTITY, UNIT, PRICE, TOTAL.

Table with columns: NO., DESCRIPTION, QUANTITY, UNIT, PRICE, TOTAL.

Table with columns: NO., DESCRIPTION, QUANTITY, UNIT, PRICE, TOTAL.

Table with columns: NO., DESCRIPTION, QUANTITY, UNIT, PRICE, TOTAL.

Table with columns: NO., DESCRIPTION, QUANTITY, UNIT, PRICE, TOTAL.

Table with columns: NO., DESCRIPTION, QUANTITY, UNIT, PRICE, TOTAL.

Table with columns: NO., DESCRIPTION, QUANTITY, UNIT, PRICE, TOTAL.

Table with columns: NO., DESCRIPTION, QUANTITY, UNIT, PRICE, TOTAL.

Table with columns: NO., DESCRIPTION, QUANTITY, UNIT, PRICE, TOTAL.

Table with columns: NO., DESCRIPTION, QUANTITY, UNIT, PRICE, TOTAL.

Table with columns: NO., DESCRIPTION, QUANTITY, UNIT, PRICE, TOTAL.

Table with columns: NO., DESCRIPTION, QUANTITY, UNIT, PRICE, TOTAL.

Table with columns: NO., DESCRIPTION, QUANTITY, UNIT, PRICE, TOTAL.

Table with columns: NO., DESCRIPTION, QUANTITY, UNIT, PRICE, TOTAL.

Table with columns: NO., DESCRIPTION, QUANTITY, UNIT, PRICE, TOTAL.

Table with columns: NO., DESCRIPTION, QUANTITY, UNIT, PRICE, TOTAL.

Table with columns: NO., DESCRIPTION, QUANTITY, UNIT, PRICE, TOTAL.

Table with columns: NO., DESCRIPTION, QUANTITY, UNIT, PRICE, TOTAL.

Table with columns: NO., DESCRIPTION, QUANTITY, UNIT, PRICE, TOTAL.

Table with columns: NO., DESCRIPTION, QUANTITY, UNIT, PRICE, TOTAL.

Table with columns: NO., DESCRIPTION, QUANTITY, UNIT, PRICE, TOTAL.

Table with columns: NO., DESCRIPTION, QUANTITY, UNIT, PRICE, TOTAL.

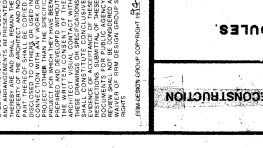
Table with columns: NO., DESCRIPTION, QUANTITY, UNIT, PRICE, TOTAL.

Table with columns: NO., DESCRIPTION, QUANTITY, UNIT, PRICE, TOTAL.

LEGEND LIGHT FIXTURES CONDUIT/WIRE ABREVIATIONS... [Detailed list of symbols and abbreviations]

GENERAL NOTES 1. CODE COMPLIANCE... 2. SAFETY... 3. FIRE RATED CEILING AND WALLS... 4. MOUNTING HEIGHTS... 5. DUAL LEVEL SWITCHING... 6. WIRING... 7. FIXTURE BRANCH CIRCUIT THROUGH-WIRING... 8. MECHANICAL UNIT CONDUITS... 9. SIGNAL & COMMUNICATIONS SYSTEMS... 10. UTILITY COMPANY REQUIREMENTS... 11. EQUIPMENT GROUNDING CONDUCTORS... 12. COORDINATE OUTAGE TIME... 13. PROVIDE ACCURATE FIELD RECORD DRAWINGS... 14. BEFORE CONSTRUCTION... 15. LABEL PANEL... 16. ALL CONDUCTORS...

LEGEND SCHEDULES LEGEND SCHEDULES SHEET TITLE: OLDE POST OFFICE RECONSTRUCTION SHEET NUMBER: E-1 JAN 9 1985 A93-016

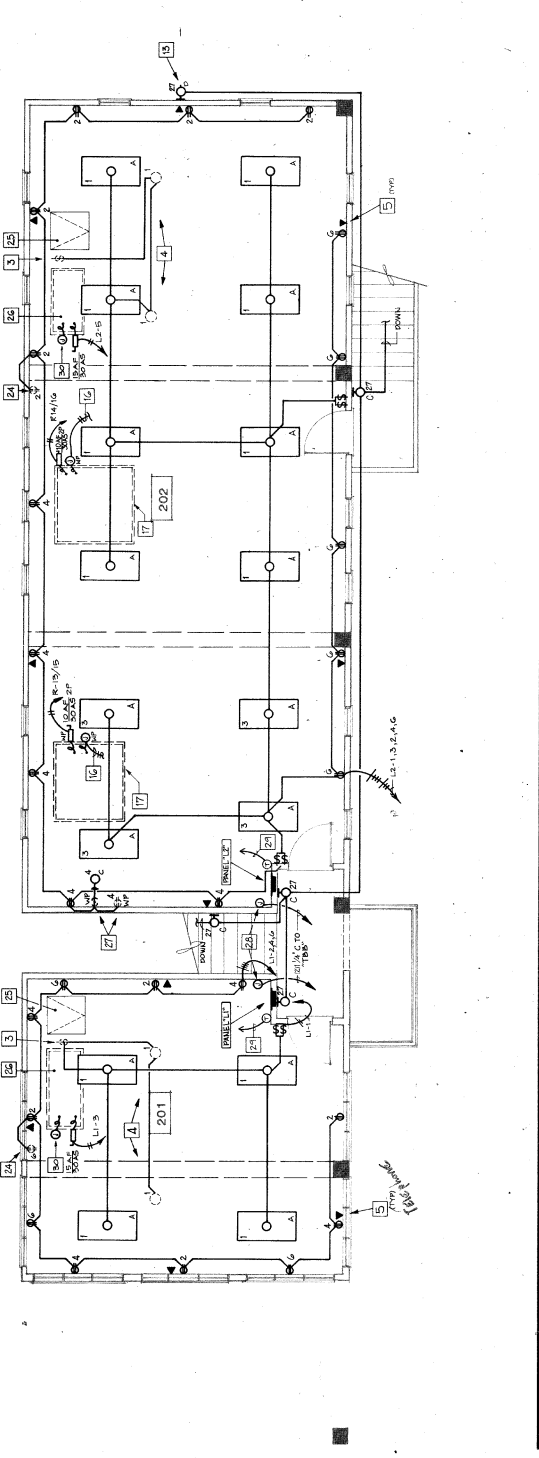


LEGEND SCHEDULES SHEET TITLE: OLDE POST OFFICE RECONSTRUCTION SHEET NUMBER: E-1 JAN 9 1985 A93-016

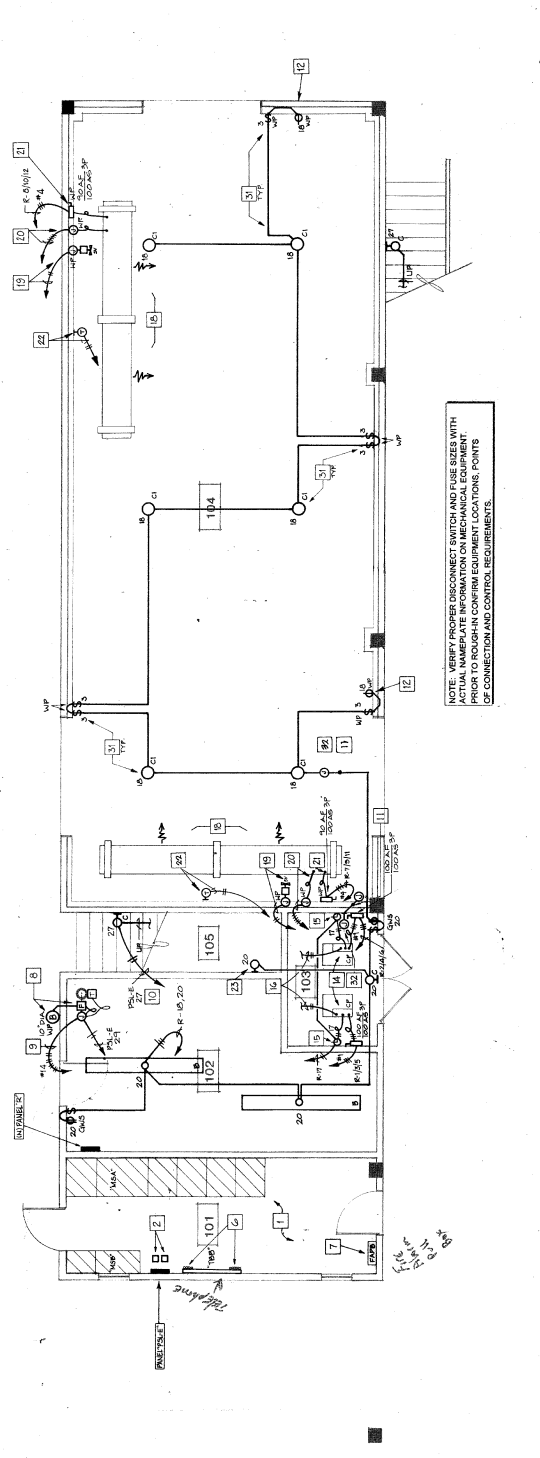
**REFERENCE NOTES**

- ALL ELECTRICAL EQUIPMENT SHALL BE INSTALLED IN ACCORDANCE WITH THE NATIONAL ELECTRICAL CODE (NEC) AND THE CALIFORNIA ELECTRICAL CODE (CEC). ALL ELECTRICAL EQUIPMENT SHALL BE INSTALLED IN ACCORDANCE WITH THE CALIFORNIA ELECTRICAL CODE (CEC) AND THE NATIONAL ELECTRICAL CODE (NEC). ALL ELECTRICAL EQUIPMENT SHALL BE INSTALLED IN ACCORDANCE WITH THE CALIFORNIA ELECTRICAL CODE (CEC) AND THE NATIONAL ELECTRICAL CODE (NEC).
- EXIST. EXTERIOR LIGHTING CONTROL CONTRACTOR MOUNTED ABOVE PANEL.
- LOCATE SWITCH IN ACCESSIBLE AREA ABOVE ACCESS HATCH FOR ATTIC LIGHTS.
- INSTALL PORCELAIN LAMPHOLDER (WITH 100 WATT LAMP) IN ATTIC SPACE.
- FROM EACH TELEPHONE OUTLET IN OFFICE SPACE, PROVIDE A 3/4" C. (WITH PULL CORD) TO "B" IN ROOM 101.
- STUB CONDUITS FROM OFFICE TELEPHONE OUTLETS AT TOP OF TEL. BACKBOARD TRIM. SEPARATE GROUPS OF CONDUIT STUBS BY OFFICE SPACE AND LABEL.
- 7/8" Ø 4" X 4" DEEP SURFACE MOUNTED FIRE ALARM PULL BOX.
- FIRE SPRINKLER FLOW AND TAMPER SWITCH FINISHED AND INSTALLED BY OTHERS. PROVIDE 22 VOLT CONNECTION THROUGH 1/2" Ø 1/2" CONDUIT TO AN EXTERIOR FIRE ALARM BELL (SIMPLEX 200V 500W 500V).
- 1/2" C. (WITH BELL STRUNG) TO "B" FOR EXIST. CONNECTION OF FLOW AND TAMPER SWITCHES TO FIRE ALARM SYSTEM. INSTALL CONNECT FIRE "C" FEATURES ON BUILDING EXTERIOR THROUGH SPARE CONDUIT IN EXTERIOR LIGHTING CONTROL CONTRACTOR THAT PROVIDES CONDUIT TO EXTERIOR LIGHTING CONTROL CONTRACTOR.
- PROVIDE CONDUIT SEAL AT PENETRATIONS THROUGH ENVELOPE. TYPICAL FOR ALL PENETRATIONS WHETHER SHOWN OR NOT.
- WEATHERPROOF RECEPTACLE #46 BY COOLEX CONTRACTOR.
- MOUNT AT 1' 4" ABOVE PER DECK.
- COMPRESSOR UNITS. CONNECT TO CONTROL PANEL "CP".
- DEFROST TIMER (FBO, EC TO CONNECT).
- 1/2" Ø #12 CONTROL BETWEEN COMPRESSOR CONTROL PANEL AND CONDENSER UNIT ON ROOF.
- CONDENSER UNIT UNDER CANOPY.
- UNIT COOLER.
- SOLENOID VALVE (FBO, EC TO CONNECT) PROVIDE 1/2" Ø #12 TO SYSTEM DEFROST COMPRESSOR CONTROL PANEL "CP".
- UNIT COOLER CONTROL. PROVIDE 1/2" Ø #12 TO SYSTEM DEFROST TIMER.
- 208 VOLT 3 PHASE POWER. VERIFY EXACT LOCATION.
- THERMOSTAT (FBO, EC TO CONNECT) PROVIDE 1/2" Ø #12 TO COMPRESSOR CONTROL PANEL.
- CONVEIENRE RECEPTACLE. BALL CHAIN 1 1/2" Ø. MOUNT ABOVE ACCESS TO UNDER STAIR STORAGE AREA.
- CONVEIENRE RECEPTACLE IN ATTIC SPACE ABOVE. LOCATE AS DIRECTED BY FRUID.
- ATTIC ACCESS HATCH.
- FORCED AIR UNIT IN ATTIC SPACE.
- LOCATE W/8 SWITCH RECEPTACLE & LIGHT MEASUREMENT WELL.
- 1 1/2" Ø 1/2" X 1/2" DEEP BOX WITH 2 BAYS 3/8" Ø. 20 WATT CANTER PLATE. PROVIDE (Ø) 1/2" CONDUITS (WITH PULL STRINGS) TO TELEPHONE BACKBOARD "TB" (FUTURE COMMUNICATIONS).
- 1/2" Ø TO J-BOX ON FORCED AIR UNIT FOR LOW VOLTAGE CONTROLS.
- VERIFY EXACT POINT OF CONNECTION FOR LOW VOLTAGE CONTROLS. ALL LIGHT FIXTURES, SWITCHES, LAMP RECEPTACLES AND ASSOCIATED WIRING SHALL BE INSTALLED BY THE COOLEX CONTRACTOR (SHEET N/1 EACH APPROPRIATE).
- INSTALL REFRIGERATOR COOLER CONTROL CIRCUIT #12 BRANCH CIRCUIT CONNECTION IN THE BOX BY THE EC. ALL CONNECTIONS IN ROOM 104 BY THE COOLEX CONTRACTOR.

TITINA ELECTRIC, INC.  
 1400 N. 11TH ST. SUITE 100  
 AVILA BEACH, CA 93424  
 PHONE: 760/747-1800



**SECOND FLOOR ELECTRICAL PLAN**  
SCALE: 1/4" = 1'-0"



**FIRST FLOOR ELECTRICAL PLAN**  
SCALE: 1/4" = 1'-0"

NOTE: VERIFY PROPER DISCONNECT SWITCH AND FUSE SIZES WITH ACTUAL NAMEPLATE INFORMATION ON MECHANICAL EQUIPMENT. PRIOR TO ROUGH-IN CONFIRM EQUIPMENT LOCATIONS, POINTS OF CONNECTION AND CONTROL REQUIREMENTS.